

Neptun SCS1 dry

Sole Cleaning System

Important – Read first

Only put the machine into operation once you have read and understood the operating instructions. We shall be happy to answer any questions you may have.

HEUTE® dry sole cleaning system Neptun SCS1 dry cleans dirty soles of working and safety shoes and boots. HEUTE® dry sole cleaning systems are built and tested in accordance with the latest safety regulations. The faultless functionality and operational assurance of the device can only be guaranteed if the generally applicable safety precautions and device-specific safety information in this operational manual are observed during use. The guarantee is not valid in relation to damages caused by a failure to observe this operating manual. The manufacturer assumes no liability for personal injury or damage to property arising as a result of this. In the event of problems please contact our service department immediately.

Intended use

HEUTE® Neptun SCS1 dry sole cleaning systems are used for the external cleaning of closed shoes and boots by means of electrically driven brushes. Other use is not permitted! Only use the spare parts approved for use with the machines by the manufacturer. Operation is only permissible in closed rooms whilst observing the regulations mentioned in the chapter "Safety instructions".

Use in potentially explosive environment is not permitted.

Foreseeable misuse

The sole cleaning machine is not suitable for use as follows:

- Cleaning and care of human body parts and objects that are not parts of a shoe.
- Use as a tool for working on surfaces.
- Use with the addition of fluids - the machine is designed exclusively for dry operation.

Safety instructions



Read this operational manual carefully and follow our instructions for starting up and use.

The machine must not be changed or modified because this may lead to risks such as a short circuit, electric shock, fire. Maintenance and repair must be carried out exclusively by persons authorised for the purpose, using original parts only.

The use of non-original spare parts or the implementation of unauthorised modifications to the machine will result in cancellation of the declaration of conformity issued by the manufacturer/distributor and **CE** sign as well.

Use the machine in closed rooms only.

Operation is only permissible at ambient temperatures between 0° C and 40° C.

The machine is not suitable for permanent operation. It is essential to consider the values for short-time operation (STO) mentioned on page 9 (Technical data).



Do not continue using the machine when the cleaning brushes are worn. This may damage the shoes. The brushes must be replaced by a qualified person.



The design complies with the protection class IP55. The voltage supply is three-phase 400 V + grounding - power: 0,75 kW. Observe the specific data provided on the factory label.



During use, the motor may heat up to temperatures up to 90° C. Do not touch the hot motor without safety gloves.



Use by children, in particular when unattended, must be ruled out. Make sure that any contact between (household-) animals and the machine is ruled out.

Please observe without fail that whilst the roller brushes are used, no shoelaces, tongues and straps on the sides of the shoes/boots will touch the ground. They can be caught by the roller brushes, which could cause injuries or damage of the footwear.



Always disconnect the mains plug prior to cleaning, service and repair work. Do not continue to use the machine if the machine or the control cabinet with cabling are damaged.



Ensure that the machine is installed at ground level.

Enter and use the machine only with closed shoes/boots appropriate for dry cleaning.

The machine may only be passed through. Hasty movements (running) can lead to accidents (falling).

Support the safe footing when passing always by holding with both hands on the handrails.

Do not touch rotating brushes, whilst the machine is in operation.

Excessive contact pressure during use of the brushes can lead to damage of shoes/boots!

Stop using the machine, if the brushes do not rotate freely and hazardous foreign objects affect the function.

The user is responsible for any personal injury and damage to property that arise due to improper use, faulty machine connection and/or operating errors.

When installed in commercial facilities, comply with the industrial safety regulation applicable on site as well as the accident prevention regulations issued by the professional associations for electrical systems and operating equipment.

Welcome

Dear Customer, we would like to thank you for purchasing one of our HEUTE® industrial sole cleaning machines. You have purchased a quality product, which - if used properly - will provide clean results for many years.

This operating manual is a part of the machine, which contains important information on commissioning, operation and maintenance. Please keep these operating instructions for future reference!

Scope of delivery

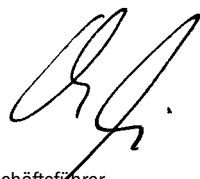
Sole cleaning machine, control cabinet, operating manual.

Declaration of conformity

The manufacturer herewith confirms the following machine of type Neptun SCS1 dry complies with the directives listed below:

- Machinery directive (2006/42/EG)

Authorized representative Steffen Moersch,
same address as manufacturer.



Christian Löwe, Geschäftsführer
HEUTE Maschinenfabrik GmbH & Co. KG

Environmental protection

Disposal of transport packaging

The packaging materials of your new machine are environmentally friendly and recyclable. Please help by disposing the packaging in an environmentally friendly manner. The packaging must not be given to children to play with. There is a risk of suffocation caused by the cardboard packaging and plastic films.

Disposal of the product

Old devices that are no longer in use are not worthless waste. Valuable raw materials can be recovered through environmentally friendly disposal. Please inform yourself about the current disposal methods by contacting the person responsible within your company or your local authority.

Table of contents

Important – read first	2
Intended use	2
Foreseeable misuse	2
Safety instructions	2
Welcome	3
Scope of delivery	3
Declaration of conformity	3
Environmental protection	3
Overview	4
Installation and commissioning	6
General information	6
Transport and installation	6
Electrical connection	6
Precaution while commissioning	6
Operation	6
Cleaning principle	6
Service and maintenance	7
Control	7
Cleaning	7
Maintenance	7
Recommended service intervals	7
Change of roller brushes	7
Cleaning of surfaces	8
Cleaning of roller brushes	8
Disassembly of brush axle	8
Access to gear motors	9
Trouble shooting	9
Technical data	9
Wiring diagrams	10
Part drawings	12

Installation and commissioning

General information

Please follow below mentioned advices to protect the stainless steel housing of the sole cleaning machine during storing, before installation, commissioning and use.

- Protect the machine against environmental influences like rain, sunshine and frost. Use the machine only in closed rooms.
- To avoid contact corrosion (e.g. carbon steels, steel spans, tools for steel processing) the surface of the machine must not be in touch with other kind of steels.

Transport and installation

Weight of the machine is abt. 175 kg. Due to the heaviness, transportation and unpacking should be done by 2 workers using suitable means of transport.

Use the machine in closed rooms only. When choosing the place of installation please consider the necessary space 1430 x 877 mm and the availability of power supply (more details see further course of chapter **Installation and commissioning**). When setting up the machine, make sure that the dirt drawer can be pulled out completely at the front. The Control cabinet has to be fixed at suitable place on the wall. The ground must be level and slip protected. To ensure stability level out any uneven floor areas by adjusting the feet under help of a spirit level.

Electrical connection

- 3-phase 400 V + grounding, power: 0,75 kW
- Connection to the clamps in the control cabinet (see sector Technical data > **configuration of clamping strips**)



Take care that available voltage in your country is corresponding to machine's voltage!



Machine's power supply must be electrically protected against indirect contacts:

- High sensitive difference power protection device max. 30 mA.
- This protection must be provided by the house installation and is not supplied with the machine.
- The control cabinet should be mounted approx. 1,2 m above floor level for easy accessibility.
- Turn-on and check rotating direction of the brushes.

Precaution while commissioning



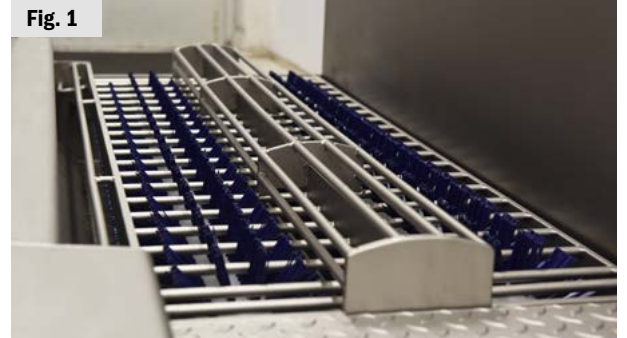
Never remove or block the contact switches on the housing, which are active when the grid is closed/down. When opening the grid during operation these will automatically turn off the power supply and will stop the rotation of the brushes.

Operation

Cleaning principle

- Cleaning of shoes and boots with horizontal roller brushes (Fig. 1)..

Fig. 1



Use of sole cleaning function

The sole cleaning function starts when entering the machine (possible from both sides) thus activating an optoelectronic signal (reflection sensor barrier) (Fig. 2) and causes:

- Rotation of roller brushes which are driven by a gear motor.

The function stops when the reflection sensor barrier is no longer occupied.

Fig. 2



Adjustment of rotation time of the roller brushes

The desired rotation time for the cleaning operation of the both roller brushes can be individually adjusted by means of timers in the control cabinet (Fig. 3). The factory preset value is 10 seconds.

Fig. 3



Proper cleaning of the running treads of shoes and boots

The dwell time (exceedance time) has a significant influence on the cleaning result. Cross the step grid in small steps from one end of the machine to the other. Use the handrail with both hands all the time.

Service and maintenance

Service and maintenance should be carried out only by customer service technicians. To secure optimal functioning of the sole cleaning machine, it should be controlled, cleaned and serviced in regularly intervals. HEUTE® cleaning machines are service reduced and reliable. However, there are components which will wear out after a correspondingly long service life and/or reduce the cleaning result.



Unplug the power supply at the control cabinet prior to all interventions in the machine.



In case of unintended opening of the grid the rotation of the roller brushes stops automatically.

Control

The machine should be checked for correct function regularly. While doing so, inspect whether components are damaged or worn and whether the machine is able to ensure the required cleaning effect. No foreign object is allowed to be within the rotary area of the roller brushes.

Cleaning

The cleaning intervals of the machine depend on the in-plant operating conditions. With increasing dirt, shorten the cleaning intervals. With decreasing dirt, extend the cleaning intervals accordingly.

Maintenance

The Neptun SCS1 dry is considered to be very low-maintenance and reliable. However, there are some components, which will wear out after a long period of service and will reduce the cleaning quality - e.g. brushes.

Brushes, the bristles of which, for example, have snapped off or got too soft to be able removing dirt in active manner, point to excessive wear.

Suitable spare parts can be purchased from the specialist dealer or manufacturer.

Instructions on replacement of wearing parts are described below in the chapter **Service and maintenance**.

Recommended service intervals

Below mentioned intervals are based on our experience. In this regard, however, the real applications play the decisive part (kind of contamination, service period, et cetera.) That is the reason why you have to adapt the intervals according to your own experience.

Service	Interval
Dirt removal from drawer	1 x /week
Control	1 x /week
Cleaning of surfaces	1 x /week
Cleaning of brushes	1 x /month
Change of roller brushes	every 5-7 years, earlier when worn

Change of roller brushes

1. Lift up the grid (locking function when open) to get access to the two roller brushes and to activate the switching-off function of the machine. The roller brushes can be removed without special tools (by two persons, if necessary) (Fig. 4).
2. Horizontal roller brushes: Pull the front side up (Fig. 5). The roller brushes are driven by a cross pin placed on the gear motor side.
3. When re-inserting the roller brushes make sure that the cross pin is positioned correctly and the brush fits properly.

Fig. 4

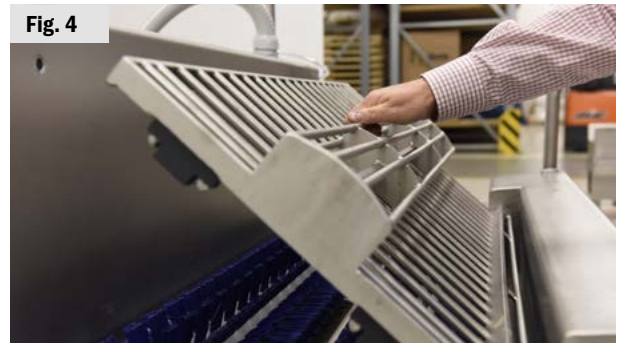


Fig. 5



Cleaning of surfaces

The micro-blast stainless steel surface is made of stainless steel type 304.

During the cleaning work, the following has to be noted, and cleaning has to be carried out always by thoroughly flushing with clear water:

- Avoidance of contact with carbon steel
- No use of steel sponge, grinding powder
- No use of chlorine products and bleaching agents

Cleaning of roller brushes

The nylon brushes must be cleaned dry or wet during the cleaning intervals, depending on the degree of soiling. Dry cleaning can be carried out by knocking/sucking off the dirt particles with the brush removed (see Change of roller brushes). A wet cleaning of the nylon brushes must be carried out with plenty of water without pressure (no high pressure cleaner) or by spraying or soaking. Use a mild additional cleaning medium for wet cleaning, make sure that the cleaner does not contain any corrosive components.

Disassembly of brush axle

1. Remove roller brush (see chapter **Service and maintenance** > Change of roller brushes)
2. Remove Allen screw on the front longitudinal side of the brush body with suitable tool (Fig. 6).
3. Remove snap ring located at the face of the brush body with suitable tool, and subsequently extract the distance washer.
4. Now the brush can be pulled off the axle (Fig. 8).
5. When assembling, put the pin in the center position of the brush, tighten the grub screw, insert distance washer (\varnothing 30 mm) and mount the snap ring.

Fig. 6



Fig. 7

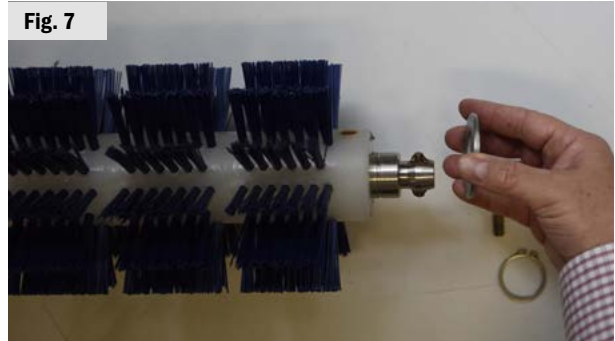
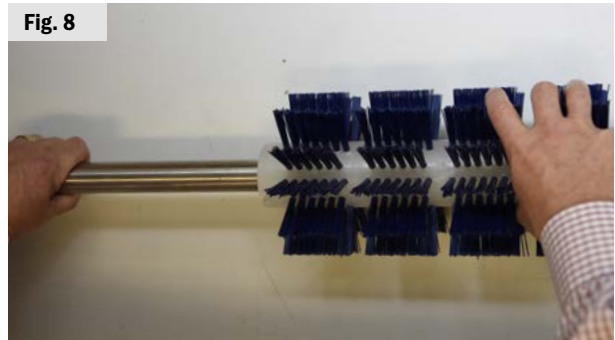


Fig. 8



Access to gear motors

Remove the side cover by opening both clamping brackets - no tools required (Fig. 9).



Trouble shooting only by qualified personell

EN

? Machine does not work

- ! Power supply interrupted or malfunction of components
- ✓ Please consult qualified specialists

? The motor is blocked or runs rough

- ! Foreign objects are inside running parts
- ✓ Immediately disconnect the machine from the power supply. Inspect the machine and roller brushes for foreign objects (turning the roller brushes by hand), and remove such matter

? The machine is very loud during the cleaning process

- ! Foreign objects are inside running parts
- ✓ Immediately disconnect the machine from the power supply. Inspect the machine and roller brushes for foreign objects (turning the roller brushes by hand), and remove such matter

or

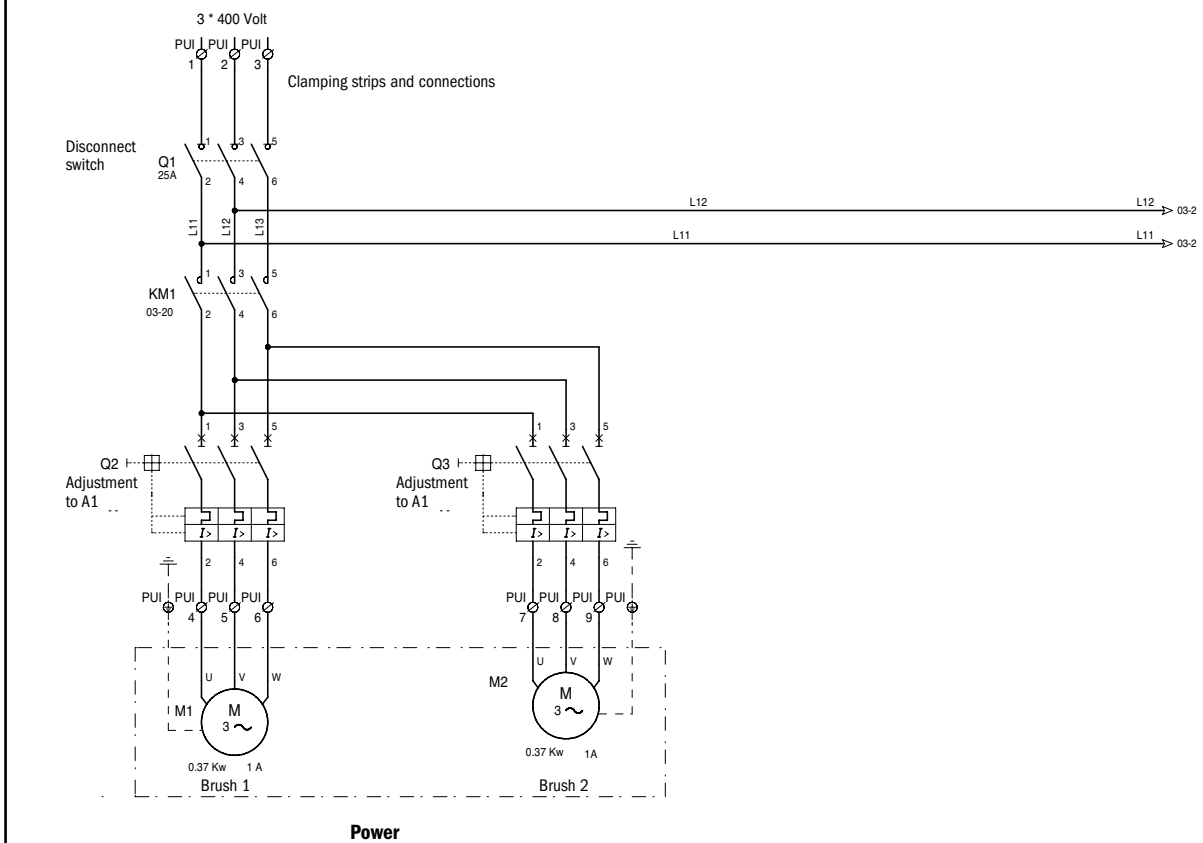
- ! Inspect the roller brushes for correct fit

Technical data

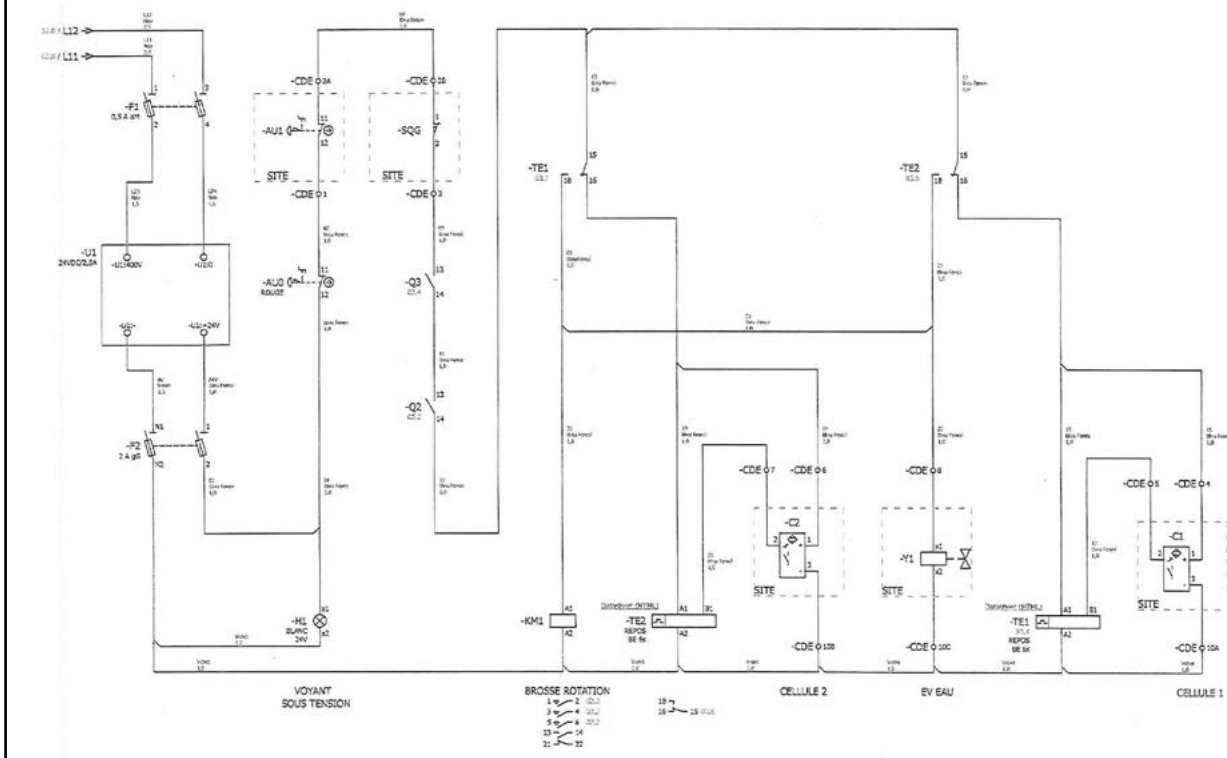
Dimensions:	143,7 cm x 82,7 cm x 117,5 cm (width x depth x height)
Weight:	175 kg
Connected values:	three-phase 400 V + grounding
Power:	0,75 kW
Protection category:	IP55
Short-time operation (STO):	8 min
Airborne noise emission:	less than 80 dB(A)

Wiring diagrams Neptun SCS1 dry

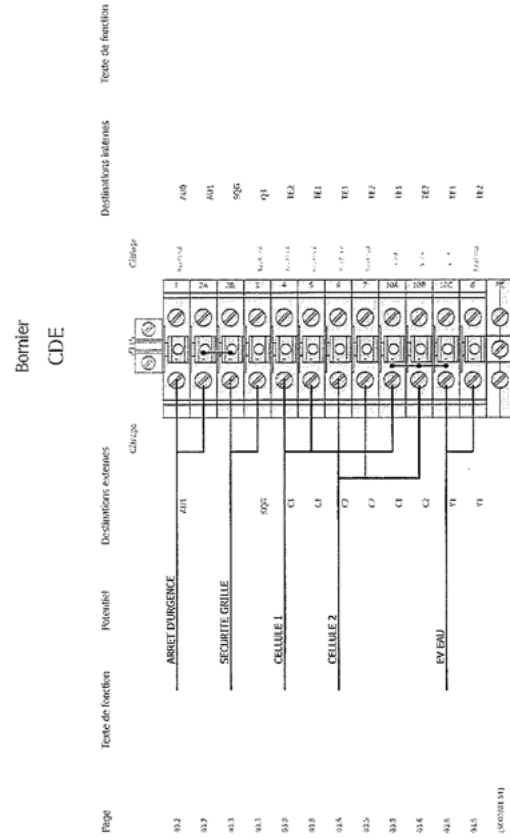
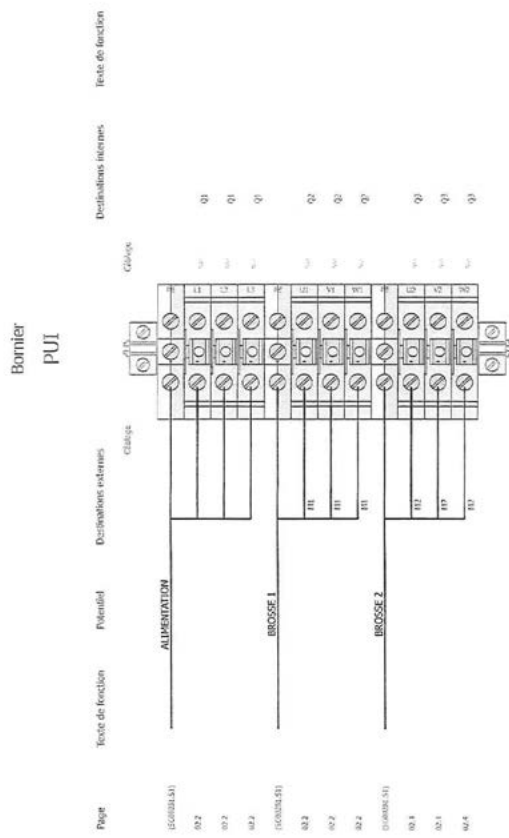
Wiring diagram I



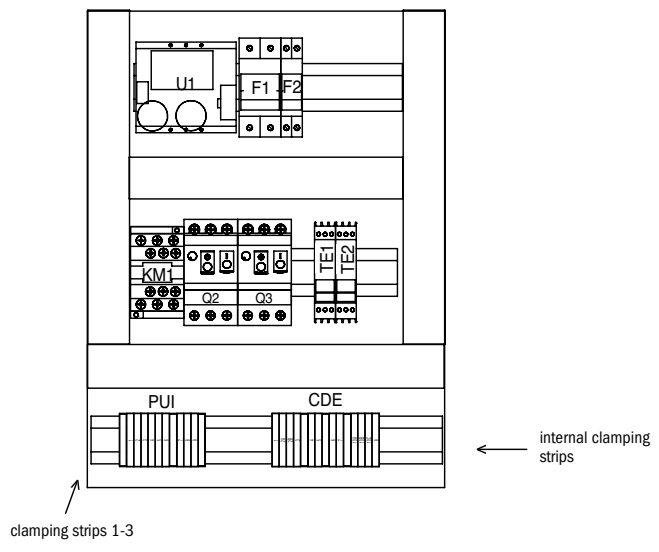
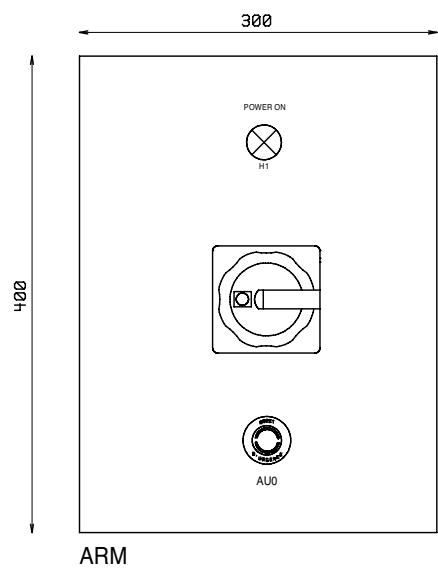
Wiring diagram II



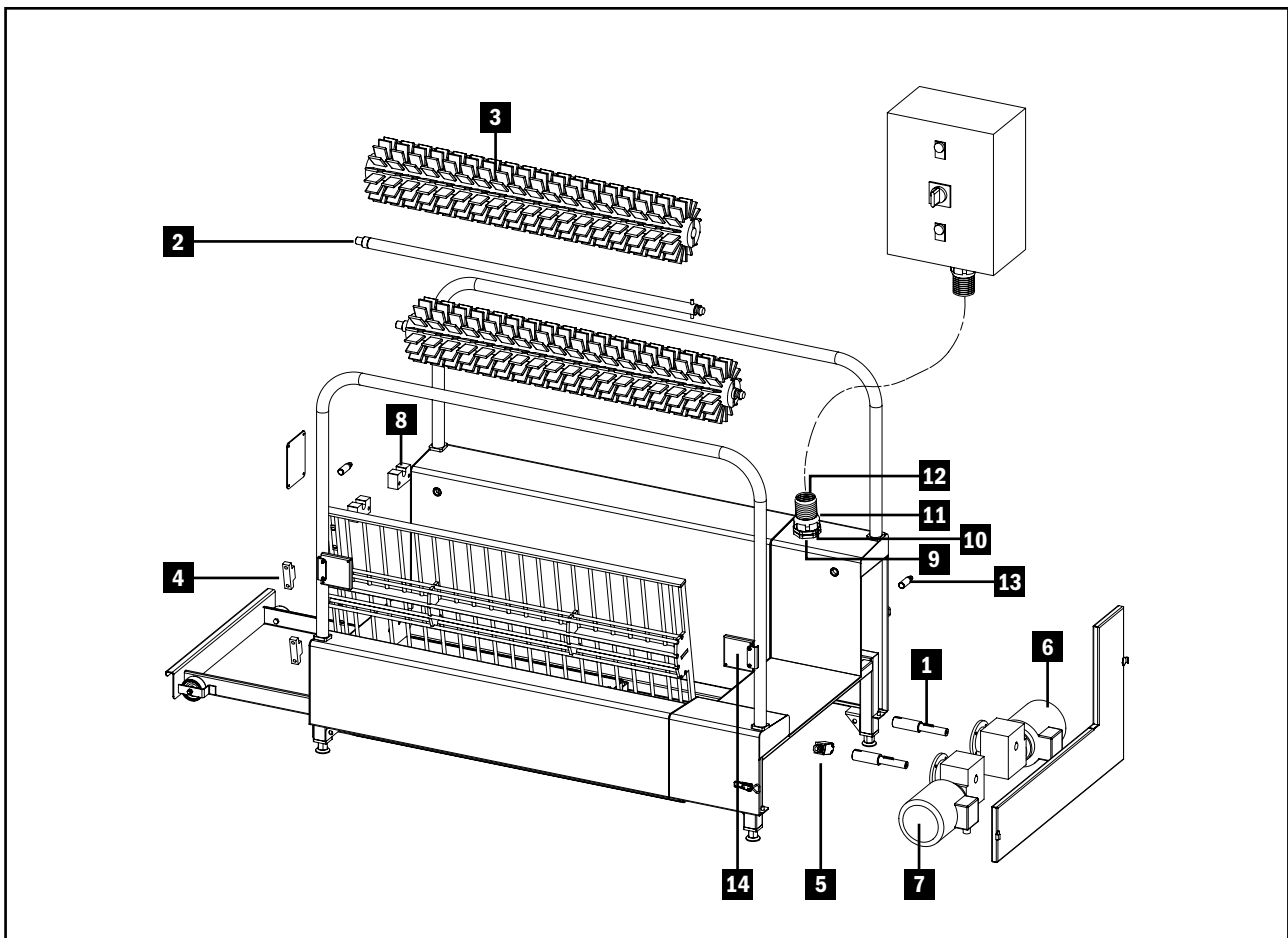
Configuration clamping strips



Configuration control cabinet



Part drawings Neptun SCS1 dry



Nr	Item	Article No.
1	Coupling - stainless steel	06800501
2	Axle of the roller brush, diam. 180x180 mm, stainless steel 304	06800502
3	Roller brush nylon, diam. 180 mm, length 1000 mm, fibre 1 mm	06800503
4	Axial bearing	06800504
5	Position switch grid AP3T13Z11	06800505
6	Gear motor P=0,37kW M05C D1	06800506
7	Gear motor P=0,37kW M05C B1	06800507
8	Bearing D20 Nylatron	06800508
9	Nut Perfect CEPFV36	06800509
10	Gasket for connection piece PG36	06800510
11	Connection piece PG36	06800511
12	PVC hose GP 40x46	06800512
13	Light barrier OGP300IFM (24V CC)	06800513
14	Reflector E20739	06800514



Höhscheider Weg 37 · 42699 Solingen · Germany
Phone: +49(0)212-380 310 · Fax: +49(0)212-380 31-49
E-mail: info@heute-gmbh.de · Internet: www.heute-gmbh.de